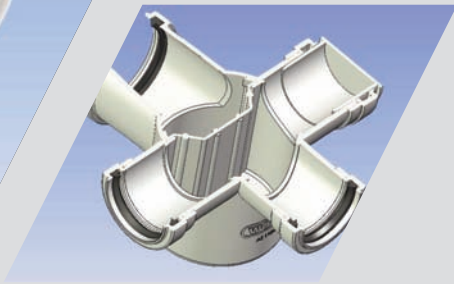
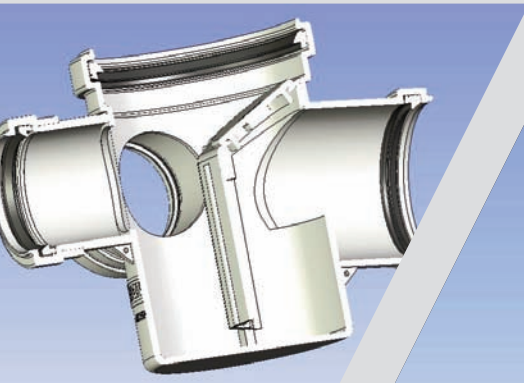


Wavin AS Floor Trap

Data Sheet



Description

Wavin Overseas launches the Wavin AS Floor Trap. This highly functional product completes the existing Wavin AS low-noise soil and waste system. With Wavin AS, noise inside buildings can be reduced to an absolute minimum. The Wavin AS Floor Trap has unique features such as an air tight baffle construction and the incorporation of proven Wavin AS seals. The Wavin AS Floor Trap can be directly applied within a Wavin AS soil and waste system design. In the design of the Wavin AS Floor Trap, 50 years of Wavin knowledge has been integrated from both a functional installation as well as a hydraulic perspective. Important aspects in the designing process were knock-out prevention, SBR seals, absorbs/correct installation mistakes, durability and resistance to 'cruel' installation circumstances.



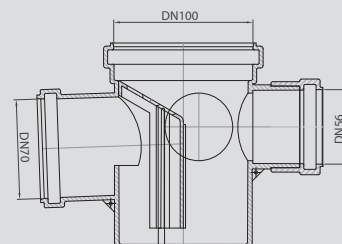
Benefits

- Extension Wavin AS range**
 This new Wavin AS Floor Trap is an extension of the product portfolio of Wavin AS.
- Seal construction**
 The already proven Wavin AS seal construction is included in not only the top inlet but on all inlets and even on the outlet. This seal construction gives the Floor Trap the same performances/reliability as the already established Wavin AS fittings and pipes and gives a maximum freedom in installing this Floor Trap.
- Baffle construction**
 The baffle construction is air tight under all circumstances. The tight tolerances during production guarantee the functionality during the life time. A special designed inspection plug enables to access the area under the baffle in order to inspect and clean this area. The Floor Trap volume is designed in such a

way that a maximal discharge capacity is reached.

- Blind plugs**
 In case not all the inlets are used two PP-blind plugs are added to the Floor Trap. These blind plugs are easy to mount to the inlets of the Floor Trap and secure a leakage-free sealing of unused inlet connections.
- Quality requirements**
 The Wavin AS Floor Trap comply with the respective standard EN1455 (EN1451 for the pipes). The seals comply with standard EN 681-1.

Connections and relation between DN and OD			
	Number	DN	OD [mm]
Inlets	3	56	58
Outlet	1	70	78
Top inlet	1	100	110



Documentation

The following documentation on the Wavin AS system is also available:

- Wavin AS Product and Technical Guide (2008)**